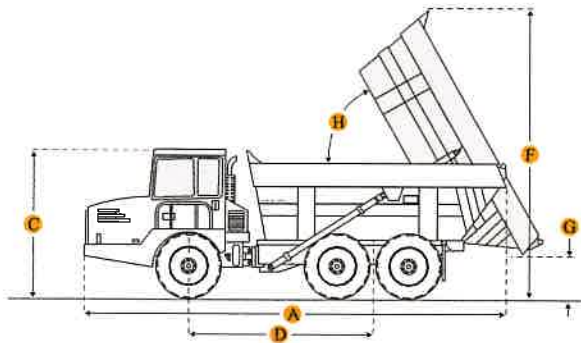
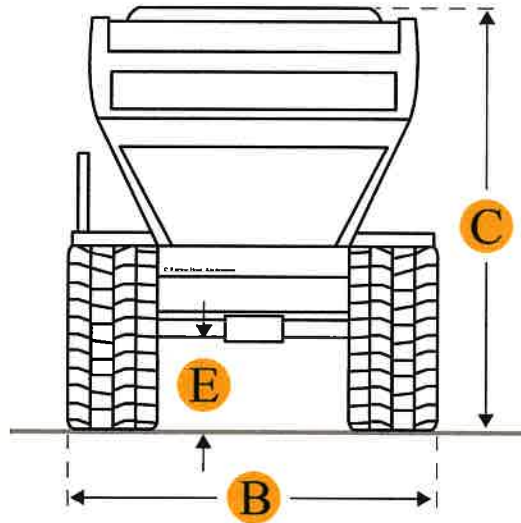
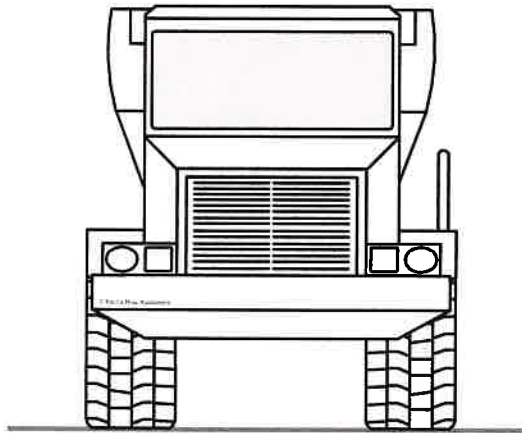


Volvo A35C 6x6 Articulated Dump Truck



Units

Imperial

Metric

Dimensions

Dimensions

A	Overall Length	35.76 ft in
B	Overall Width	10.5 ft in
C	Overall Height	11.83 ft in
D	Wheelbase	14.75 ft in

E	Ground Clearance	1.88 ft in
F	Dump Height	24.71 ft in
G	Dump Ground Clearance	3.46 ft in
Dump		
H	Dump Angle	73 degrees
	Lower Time	18 sec
	Rated Payload	70547.92 lb
	Capacity - Struck	14.8 yd3
	Capacity - Heaped	19 yd3

Specifications

Engine

Engine Make	2244
Engine Model	TD122 KME
Gross Power	358 hp
Net Power	351 hp
Power Measured @	2100 rpm
Max Torque	1169 lb ft
Torque Measured @	1100 rpm
Aspiration	Turbocharged
Displacement	732 cu in
Operational	
Fuel Capacity	95.2 gal
Hydraulic System Fluid Capacity	51.3 gal
Cooling System Fluid Capacity	23.8 gal
Engine Oil Capacity	8.2 gal
Transmission Fluid Capacity	10.6 gal
Operating Voltage	24 V

Alternator Supplied Amperage	60 amps
Tire Size	26.5 R 25
Transmission	
Transmission Type	Fully Automatic
Number Of Forward Gears	6
Number Of Reverse Gears	2
Max Speed	33.8 mph
Weights	
Front Axle - Empty	29211.3 lb
Rear Axle - Empty	27447.6 lb
Front Axle - Loaded	36266.1 %
Rear Axle - Loaded	90940.7 lb
Total Empty	56658.8 lb
Total Loaded	127206.8 lb

Compare similar models

Manufacturer/Model	Capacity - Heaped	Net Power	Rated Payload
<input type="checkbox"/> Terex TA300	11.3 yd3	370 hp	30.9 lb
<input type="checkbox"/> Caterpillar 730	22.2 yd3	325 hp	61949.9 lb
<input type="checkbox"/> Caterpillar AD30	18.8 yd3	377 hp	66150 lb

Compare

Find Volvo A35C 6x6 Articulated Dump Truck for Sale