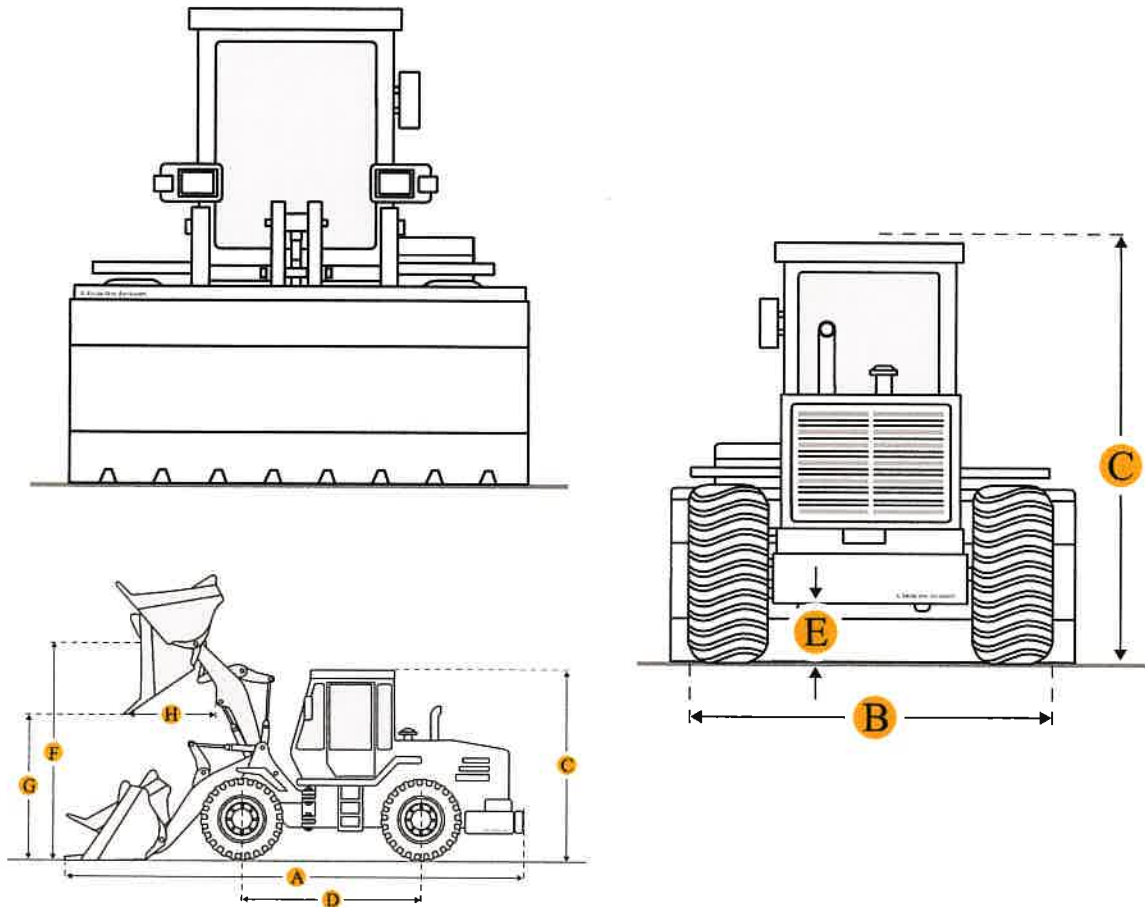


Komatsu WA450-3 Wheel Loader



Units Imperial Metric

Dimensions

Bucket

G	Dump Clearance At Max Raise	10.06 ft in
	Breakout Force	42730 lb
	Bucket Capacity - Heaped	5.5 yd3
	Bucket Capacity - Struck	4.71 yd3
	Bucket Width	10.41 ft in
	Digging Depth	1.04 ft in

Dimensions

E	Ground Clearance	1.73 ft in
A	Length With Bucket On Ground	27.53 ft in
B	Width Over Tires	9.88 ft in
C	Height To Top Of Cab	11.67 ft in
D	Wheelbase	11.16 ft in
F	Hinge Pin - Max Height	13.9 ft in
H	Reach At Max Lift And Dump	3.86 ft in

Specifications

Engine

Number Of Cylinders	6
Engine Model	Cummins M11
Engine Type	Direct-Injection
Net Power	264 hp
Gross Power	290 hp
Power Measured @	2140 rpm
Displacement	664 cu in
Aspiration	Water-cooled
Bore	5 in
Stroke	5.8 in

Operational

Operating Weight	108798.2 lb
Fuel Capacity	100.7 gal
Hydraulic System Fluid Capacity	54.5 gal
Engine Oil Fluid Capacity	9 gal
Cooling System Fluid Capacity	14.6 gal
Transmission Fluid Capacity	17.2 gal

Front Axle/Diff Fluid Capacity	17.2 gal
Turning Radius	22.5 ft in
Operating Voltage	24 V
Alternator Supplied Amperage	50 amps
Tire Size	26.5-25-20PR(L3)
Transmission	
Transmission Type	Full power shift
Number Of Forward Gears	4
Number Of Reverse Gears	4
Max Speed - Forward	21.1 mph
Max Speed - Reverse	22.4 mph
Hydraulic System	
Pilot Pump - Maximum Flow	16.4 gal/min
Steering System Capacity	10252 cu in
Loader Control Capacity	79.8 gal/min
Pump Type	HYDRAULIC
Relief Valve Pressure	3000 psi

Find Komatsu WA450-3 Wheel Loader for Sale



[2000 Komatsu WA450-3MC Avance Wheel Loader](#)

🔄 14851

📍 HOUSTON, TX