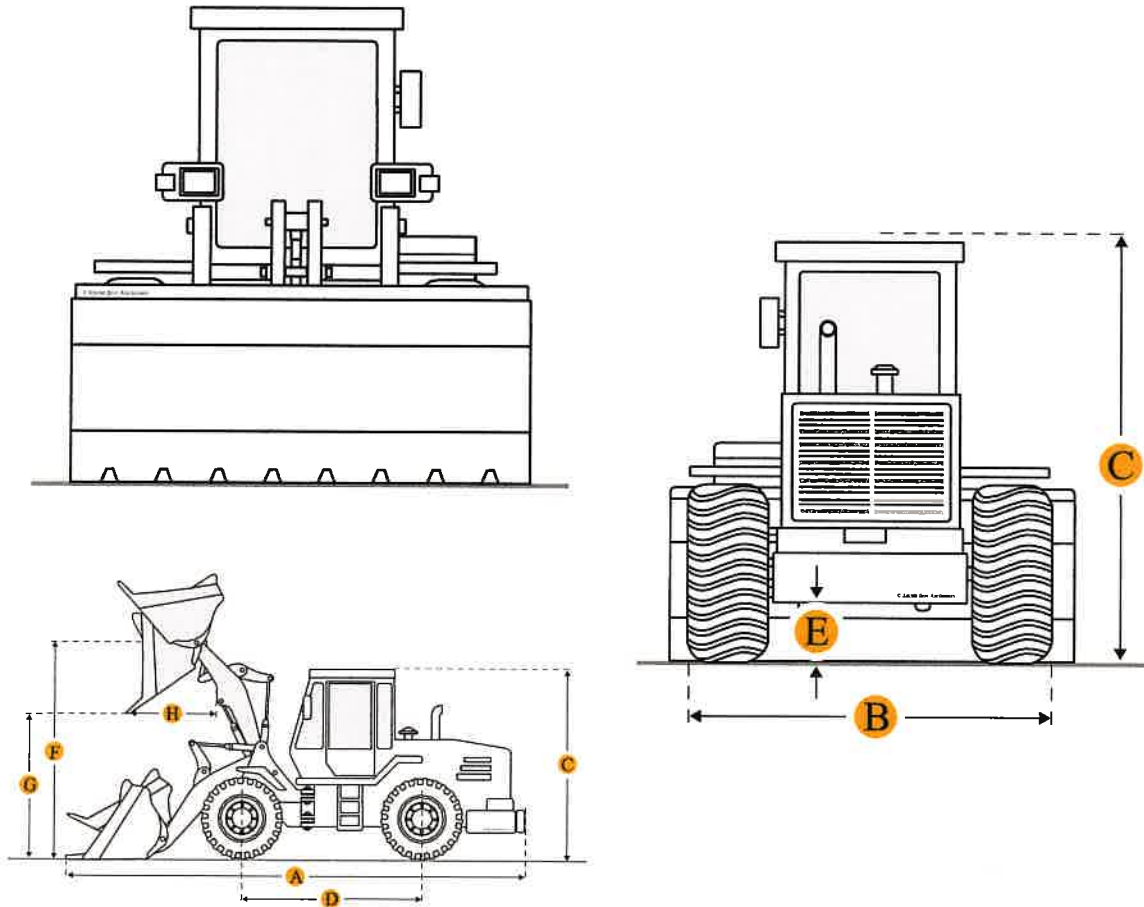


Komatsu WA 400-5 Wheel Loader



Units Imperial Metric

Dimensions

Bucket

G	Dump Clearance At Max Raise	9.8 ft in
	Bucket Capacity - Heaped	4.32 yd ³
	Bucket Width	9.85 ft in
	Breakout Force	36508.97 lb

Dimensions

E	Ground Clearance	1.51 ft in
----------	-------------------------	------------

A Length With Bucket On Ground	27.1 ft in
B Width Over Tires	9.63 ft in
C Height To Top Of Cab	11.11 ft in
D Wheelbase	10.83 ft in
F Hinge Pin - Max Height	13.63 ft in
H Reach At Max Lift And Dump	3.66 ft in

Specifications

Engine

Number Of Cylinders	6
Engine Make	2238
Engine Model	SAA6D114 E-2
Gross Power	208 hp
Power Measured @	2000 rpm
Max Torque	687.5 lb ft
Displacement	504.7 cu in
Torque Measured @	1400 rpm
Aspiration	Turbocharger

Operational

Operating Weight	42031.2 lb
Fuel Capacity	79.3 gal
Hydraulic System Fluid Capacity	34.1 gal
Engine Oil Fluid Capacity	8.5 gal
Cooling System Fluid Capacity	9.6 gal
Transmission Fluid Capacity	10.1 gal
Front Axle/Diff Fluid Capacity	10.1 gal
Rear Axle/Diff Fluid Capacity	10.1 gal
Static Tipping Weight	34226.8 lb

Turning Radius	19.8 ft in
Operating Voltage	24 V
Alternator Supplied Amperage	60 amps
Tire Size	23.5 R25 - 750/65 R25
Transmission	
Transmission Type	Automatic powershift transmission
Number Of Forward Gears	4
Number Of Reverse Gears	4
Max Speed - Forward	24 mph
Max Speed - Reverse	24.7 mph
Hydraulic System	
Relief Valve Setting	3045.8 psi
Pump Flow Capacity	79.8 gal/min
Raise Time	5.3 sec
Dump Time	1.2 sec
Lower Time	2.7 sec
Pump Type	gear pump

Compare similar models

Manufacturer/Model	Gross Power	Operating Weight
<input type="checkbox"/> Caterpillar 950M (TIER 4/STAGE IV) (2016)	-	42357 lb
<input type="checkbox"/> Caterpillar 938K	175 hp	34129 lb
<input type="checkbox"/> Volvo L110E	228 hp	40013.9 lb

Compare

Find Komatsu WA 400-5 Wheel Loader for Sale